



ZOLON[®]
RAILING SYSTEMS



Endless Innovations



www.zolonhardware.com

Company Profile

We are a ZOLON ARCHITECTURAL HARDWARE team of young professionals: Design, Supply and Build your Dreams of exterior and interiors of your loved Building / Projects.

The Zolon Architectural Hardware talented and Innovative team is working on shop design and build.

Our professional team will schedule an in-person appointment with you to take space measurements, offer you design working your professional consultation.

And we always put the best effort and materials to the satisfaction of our clients... We are proud to announce that we have Built Good trust and satisfactory notes from our clientele. Through making a dream in to reality we have put forth our 7 years of continuous Learning and Build Innovations and have smiled with the client with every project we completed. We look Forward to meet you in person and better understand your Requirements and take it forward.



www.zolonhardware.com

Our experience is your Gain

ZOLON's many years of experience is reflected in the products.

For example, our all glass profiles have

- Top cover profiles to match the wall or floor.
- Water drainage openings.
- Extension pin ducts.
- A strong, 25 μ m coating.
- Robust, protective foil and cardboard packaging.

The ZOLON specialists have years of experience assembling glass balustrades. We know which requirements a construction must meet and what the easiest assembly method is. Thanks to our daily practical experience, we know exactly which problems you can come across. This practical knowledge forms the basis for the continuous innovation of our products.

A stylish solution for every space For the assembly of glass balustrades, you can choose between profiles and bolted glass panel holders. The surface to which you wish to attach the balustrade plays an important role in the choice of system. It is also important to know whether it concerns a side mount or a top mount. Glass balustrades must meet the requirements of the INDIAN building regulations. All the ZOLON profiles and bolted glass panel holders meet the safety standards. The products have been subjected to static calculations and after approval, they received a certificate. The following pages show you our range of products. Thanks to the chart, you can see at a glance which systems can be used in your construction project. All the systems are modular, which means you can put together your own package of products. Easy and convenient.



www.zolonhardware.com

A suitable balustrade for every space

It is not without good reason that glass balustrades have become a trend. They provide an aesthetic, low-maintenance, durable solution for homes, offices and public spaces. There is a wide choice of suitable systems for every space, all of which are stylish, safe and easy to assemble.

Now available without assembly.

You can now also order the ZOLON systems and assemble them yourself. This gives you even more options! Maybe you know exactly which profile you require, because the architect has included it in the design. However, it is also possible that it only says 'glass balustrade'. You can then choose one yourself with the aid of this product brochure or you can ask our consultants for advice.



ZCR-01



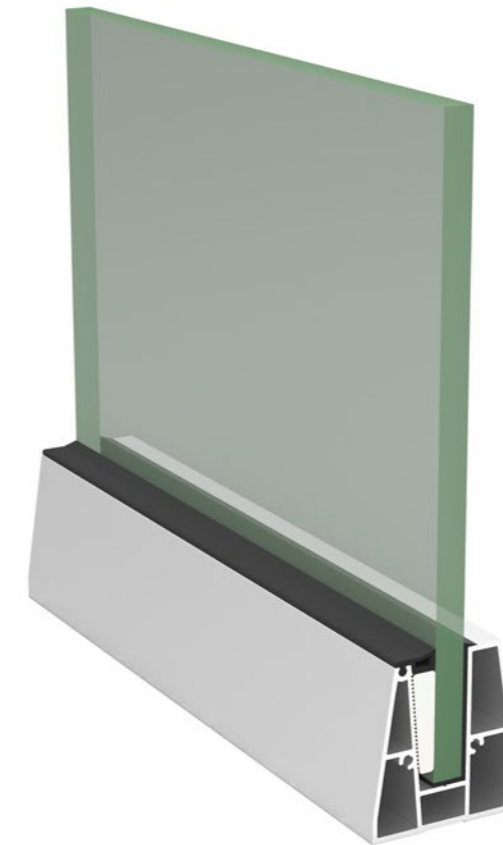
Essential Features

Space Saving and Minimalist Design.

Economical with Good Aesthetic Design.

Specialy for Residence, Hotels and Public Area.

It is Ideal for Indoor and Outdoor.



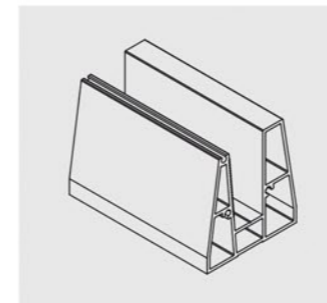
- | This railing is both sturdy and easy to install, so you can create the perfect look with minimal hassle.
- | The best part is that this railing is maintenance-free and will never rust.
- | This profile comes in 16 ft length.
- | Profile is compatible for upto 3 ft height of glass



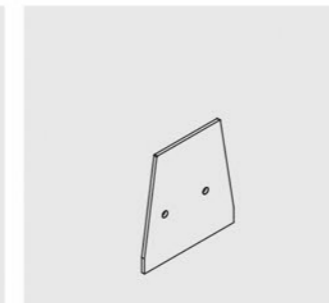
DIAMOND
Continue System

Finishes
Wooden | Anodized | PVDF | Powder Coating

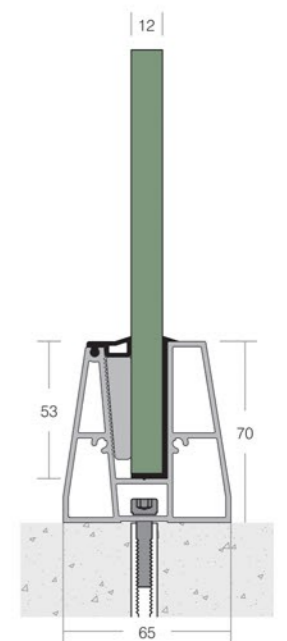
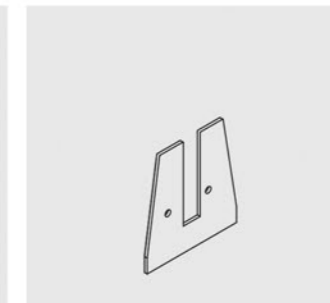
ZCR-01



ZCR-01 EC



ZCR-01 EC Slotted

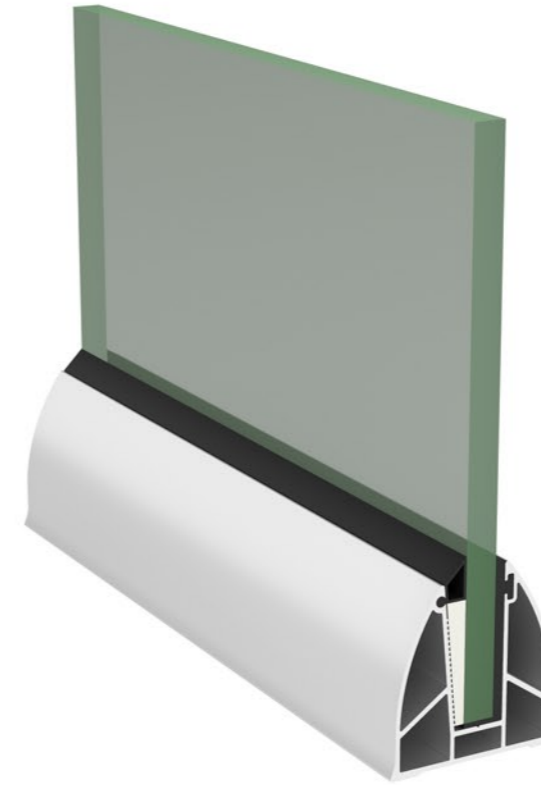


ZCR-02



SLOPE Continue System

Finishes
Wooden | Anodized | PVDF | Powder Coating



Essential Features

Architectural Aesthetics by Oval and Angled Rail Profile.

Aesthetic Design with Maximum View.

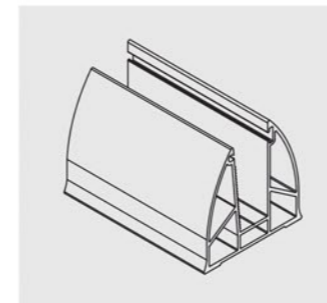
Easy Installation Saves Workmanship and Time.

It is Ideal for Indoor and Outdoor.

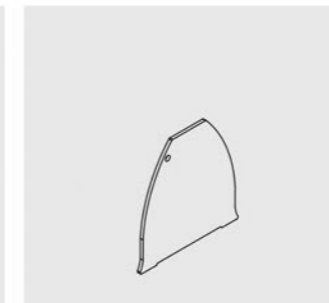


- | The sturdy construction and high-quality materials make this railing the perfect investment for any homeowner.
- | The features of this system are not limited, corrosion resistance and light weight they also extends to east to maintain attractive design.
- | This profile comes in 16 ft length.
- | Profile is compatible for upto 3 ft height of glass.

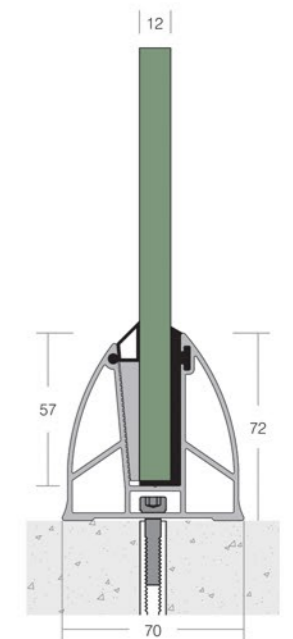
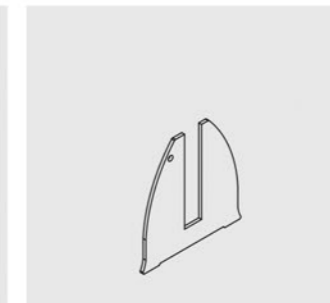
ZCR-02



ZCR-02 EC



ZCR-02 EC Slotted



ZCR-03



Essential Features

Easy Glass Installation.

Can be used in Highrise Buildings.

Aluminium cladding with a Stainless Steel Effect.

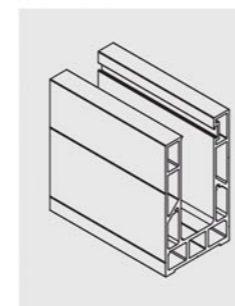
For Applications in the Public Area.



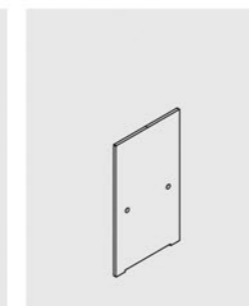
- | A sturdy railing that can be used to protect people from the side of a staircase or a balcony.
- | Aluminum railing will not corrode, making it the perfect material for a railing that will last.
- | This profile comes in 12 ft length.
- | Profile is compatible for upto 4 ft height of glass and can also be used frameless.



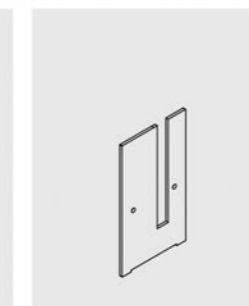
ZCR-03



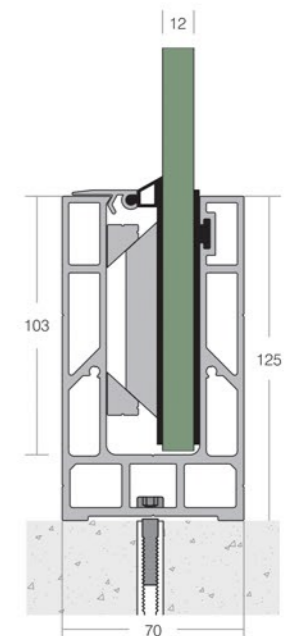
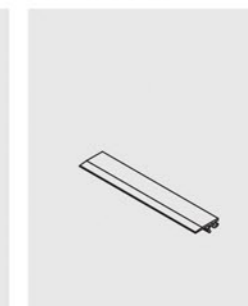
ZCR-03 EC



ZCR-03 EC Slotted



ZCR-03 SQ



LARGE Continue System

Finishes
Wooden | Anodized | PVDF | Powder Coating

ZCR-04



Essential Features

Slim Line, Elegant Design and Low Maintenance.

Can be used in Interior and Exterior.

Suitable for Concrete Floor and Steel Construction.

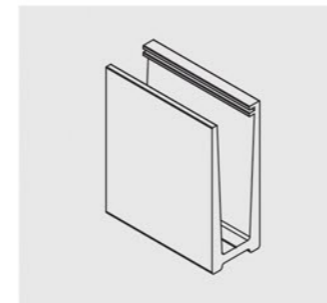
For Applications in the Public Area.



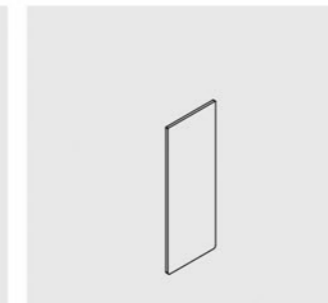
- | This railing is made of sturdy aluminium and will be a beautiful addition to any porch. The design is sleek and simple.
- | This product is perfect for any commercial or residential application and will not rust, rot or corrode.
- | This profile comes in 12 ft length.
- | Profile is compatible for upto 4 ft height of glass and can also be used frameless.



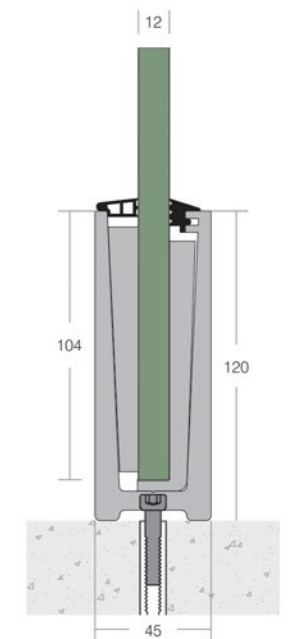
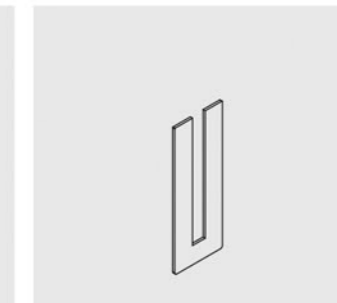
ZCR-04



ZCR-04 EC



ZCR-04 EC Slotted



HEAVY
Continue System

Finishes
Wooden | Anodized | PVDF | Powder Coating

ZCR-05



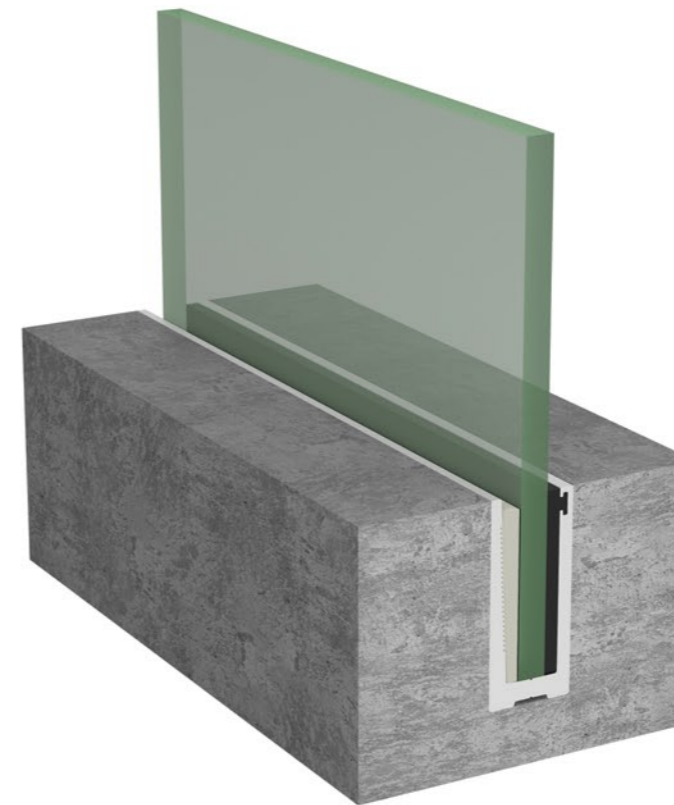
Essential Features

Top, Ceiling and Conceal Mounting.

High Structural Strength Provides Maximum Security.

Slim Line, Elegant Design and Low Maintenance.

Optimally Suited for Concrete Upstand.



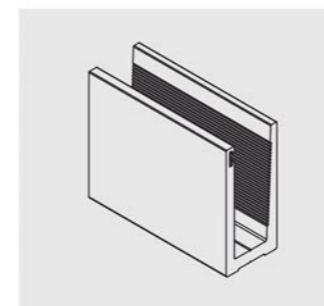
- | This railing is built to be both elegant and functional, and is easy to install.
- | The best part is that this railing is maintenance-free and will never rust.
- | This profile comes in 16 ft length.
- | Profile is compatible for upto 3.5 ft height of glass and can also be used frameless.



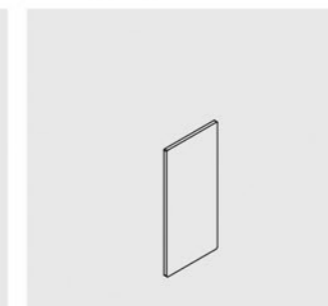
MEDIUM
Concealed Profile System /
Top Mount System

Finishes
Wooden | Anodized | PVDF | Powder Coating

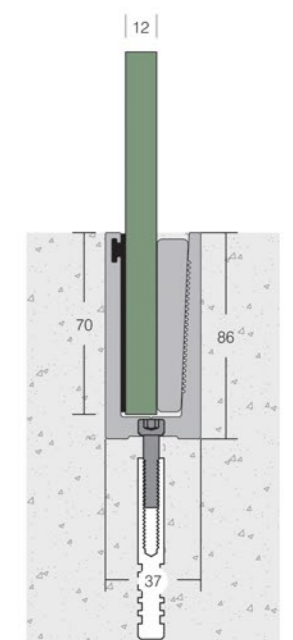
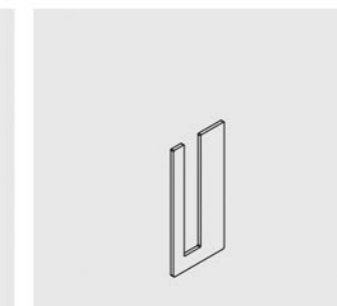
ZCR-05



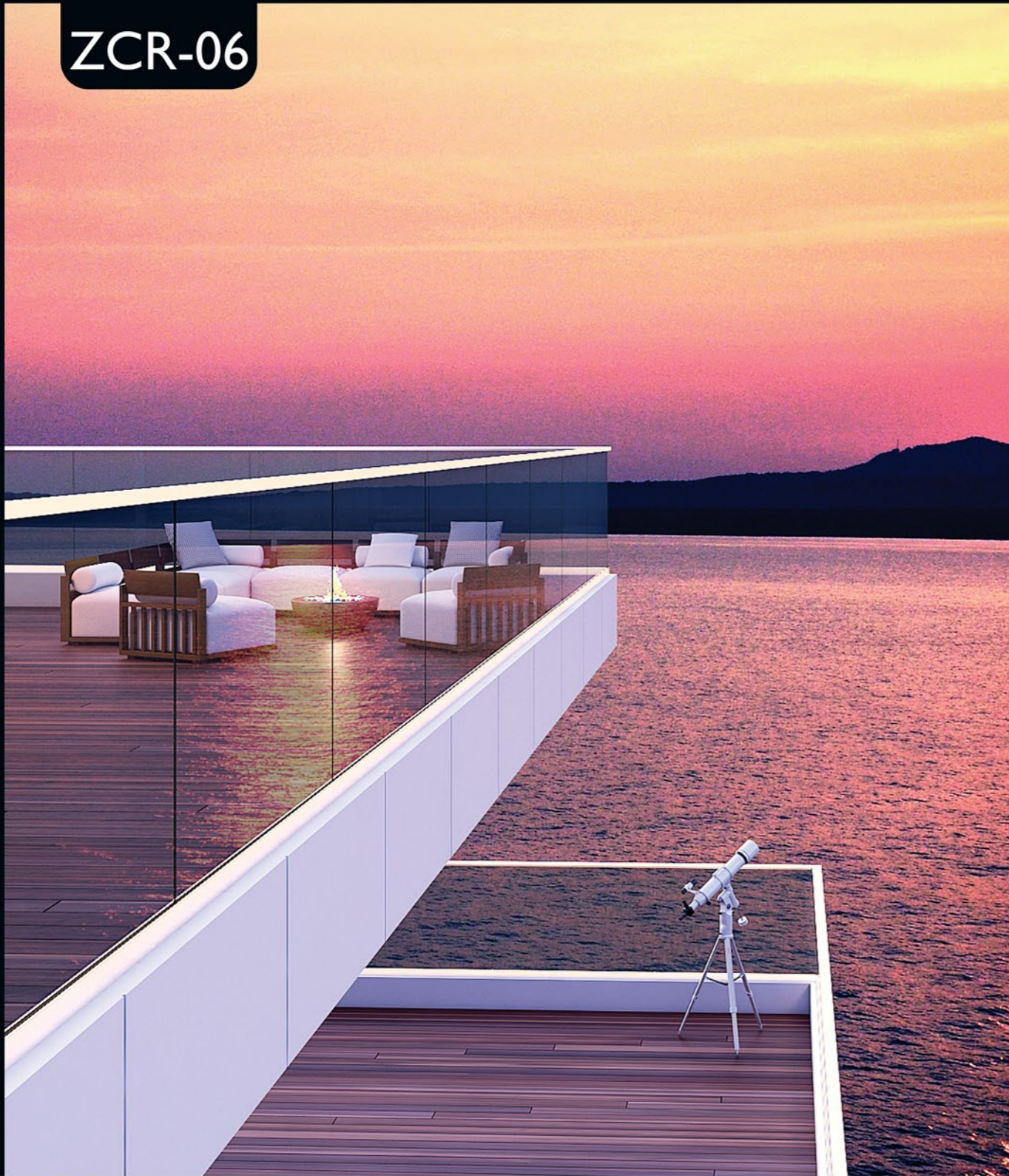
ZCR-05 EC



ZCR-05 EC Slotted



ZCR-06



SMALL Continue System

Finishes
Wooden | Anodized | PVDF | Powder Coating



Essential Features

Space Saving and Minimalist Design.

Economical with Good Aesthetic Design.

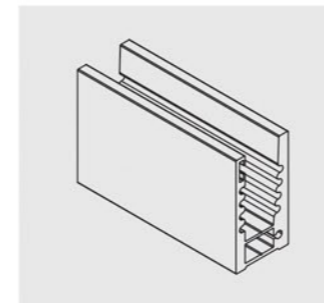
Specially for Residence, Hotels and Public Area.

It is Ideal for Indoor and Outdoor.

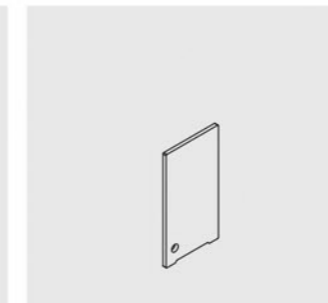


- | The light and slim aluminium railing is a perfect solution for areas where traditional railing can't be installed.
- | Aluminum railing will not corrode, making it the perfect material for a railing that will last.
- | This profile comes in 16 ft length.
- | Profile is compatible for upto 3 ft height of glass.

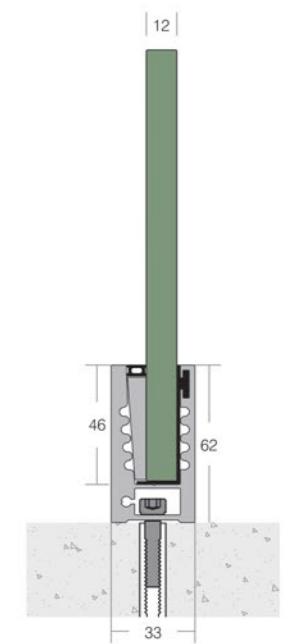
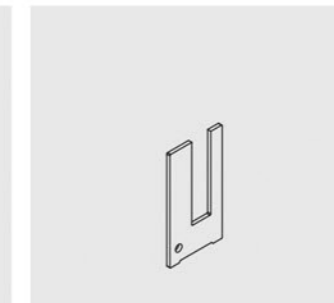
ZCR-06



ZCR-06 EC



ZCR-06 EC Slotted



ZBC-01A



STEP BOTTOM Bracket-Cover System

Finishes
Wooden | Anodized | PVDF | Powder Coating



Essential Features

Slope Design for Perfect Aesthetic View.

Can be used in Interior and Exterior.

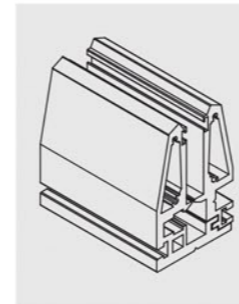
Suitable for Concrete Floor and Steel Construction.

For Applications in the Public Area.

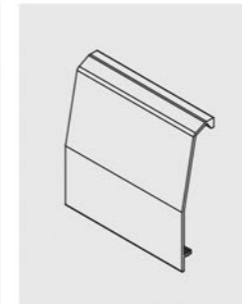


- | The aluminium cover railing is an attractive alternative to the standard metal railing.
- | This product is perfect for any commercial or residential application and will not rust, rot, or corrode.
- | This system comes with bracket covered with continue profile with maximum length of 16ft.
- | Profile is compatible for upto 3 ft height of glass...
- | Best used bracket at every 2.5 ft of distance.

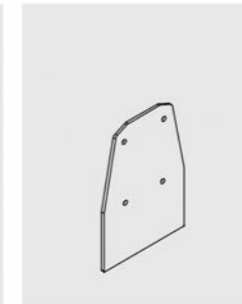
ZBC-01A



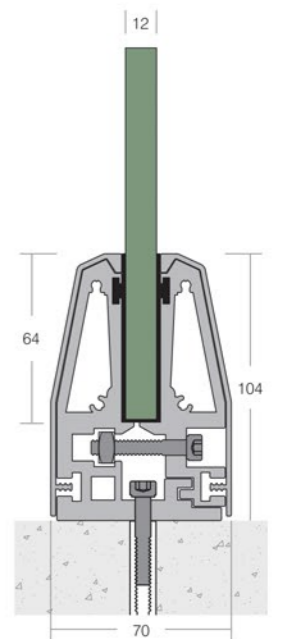
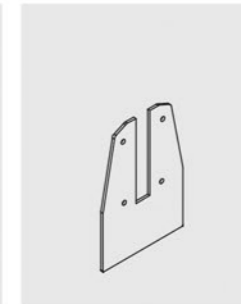
ZBC-01A CV



ZBC-01A EC



ZBC-01A EC Slotted



ZBC-01B



STEP BOTTOM Bracket-Cover System

Finishes
Wooden | Anodized | PVDF | Powder Coating



Essential Features

Premium Design in the Segment.

Can be used in Interior and Exterior.

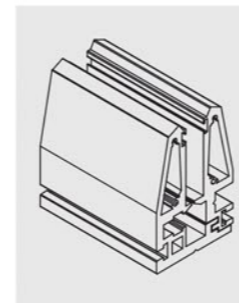
Suitable for Concrete Floor and Steel Construction.

For Applications in the Public Area.

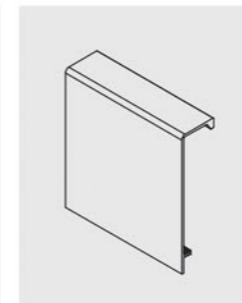


- | A square cover aluminium railing is an attractive and sturdy railing for any deck or patio.
- | The best part is that this railing is maintenance-free and will never rust.
- | This system comes with bracket covered with continue profile with maximum length of 16 ft.
- | Profile is compatible for upto 3 ft height of glass...
- | Best used bracket at every 2.5 ft of distance.

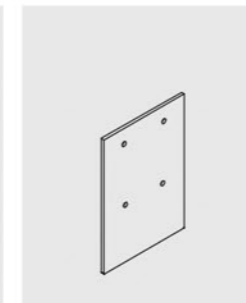
ZBC-01B



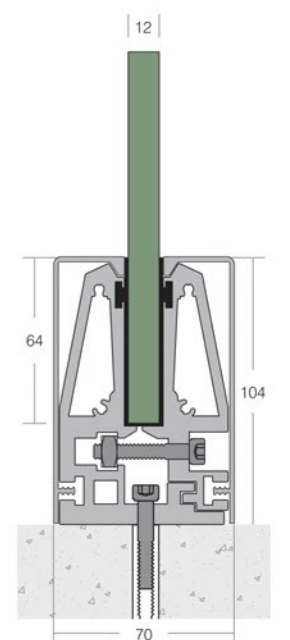
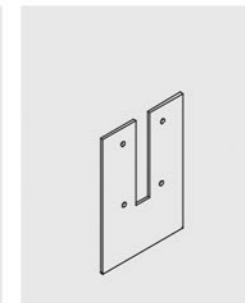
ZBC-01B CV



ZBC-01B EC



ZBC-01B EC Slotted



ZBC-02



OVAL SHAPED Bracket-Cover System

Finishes
Wooden | Anodized | PVDF | Powder Coating



Essential Features

High Structural Strength
Provides Maximum Safety.

Strongest Architectural by Oval
and Angled Cover.

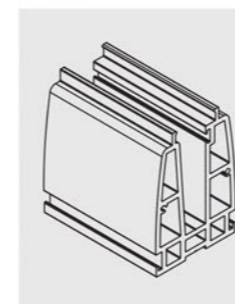
Comfort with Assembly and
Installation.

With the Design it Saves Space.

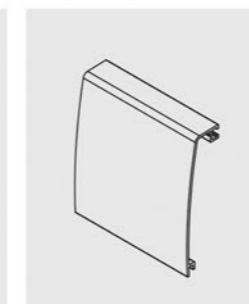


- | Slope aluminium railing is also easy to install and does not require a professional to install.
- | This product is perfect for any commercial or residential application and will not rust, rot, or corrode.
- | This system comes with bracket covered with continue profile with maximum length of 16ft.
- | Profile is compatible for upto 4 ft height of glass...
- | Best used bracket at every 2.5 ft of distance.

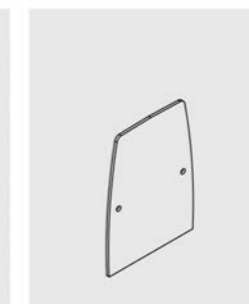
ZBC-02



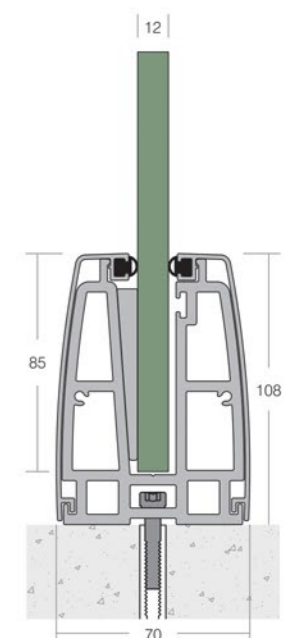
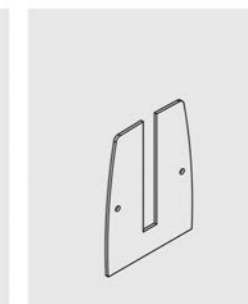
ZBC-02 CV



ZBC-02 EC



ZBC-02 EC Slotted

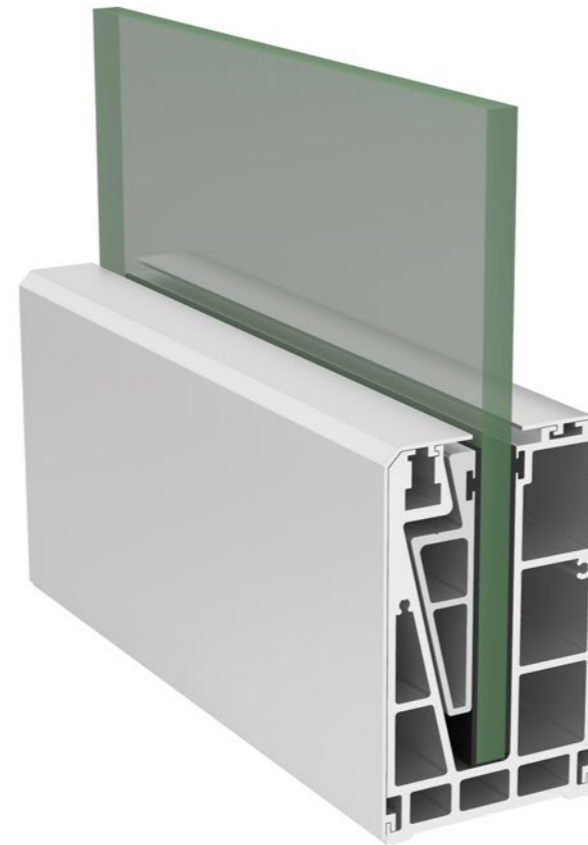


ZBC-03



HEAVY BOTTOM Bracket-Cover System

Finishes
Wooden | Anodized | PVDF | Powder Coating



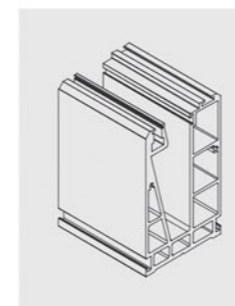
Essential Features

- Suitable for Frameless System.
- High Structural Strength Provides Maximum Security.
- No Need a System for Water Drainage.
- Specially For Residence, Hotels, High Rise Buildings.

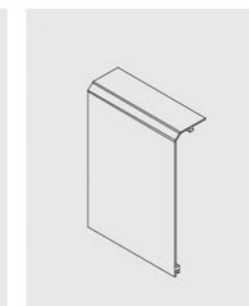


- | This is the perfect solution for any type of railing, including deck railings, porch railings.
- | The features of this system are not limited, corrosion resistance also extends to east to maintain attractive design.
- | This system comes with bracket covered with continue profile with maximum length of 16 ft.
- | profile is compatible for upto 4 ft height of glass. Even used without handrail frameless.
- | Best used bracket at every 2.5 ft of distance.

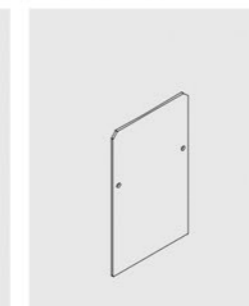
ZBC-03



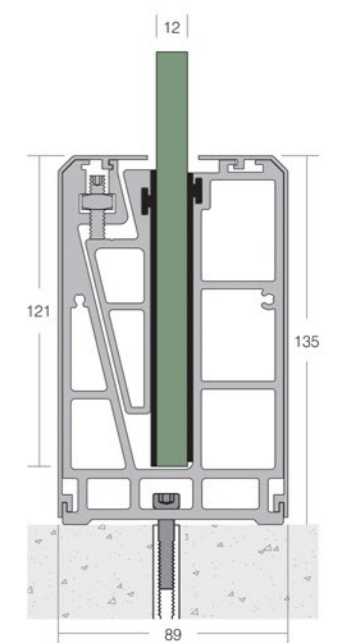
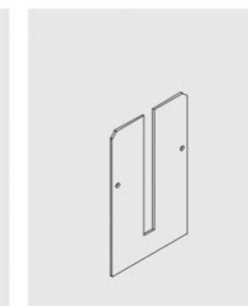
ZBC-03 CV



ZBC-03 EC



ZBC-03 EC Slotted



ZBC-04



SIDE MOUNTED Bracket-Cover System

Finishes
Wooden | Anodized | PVDF | Powder Coating



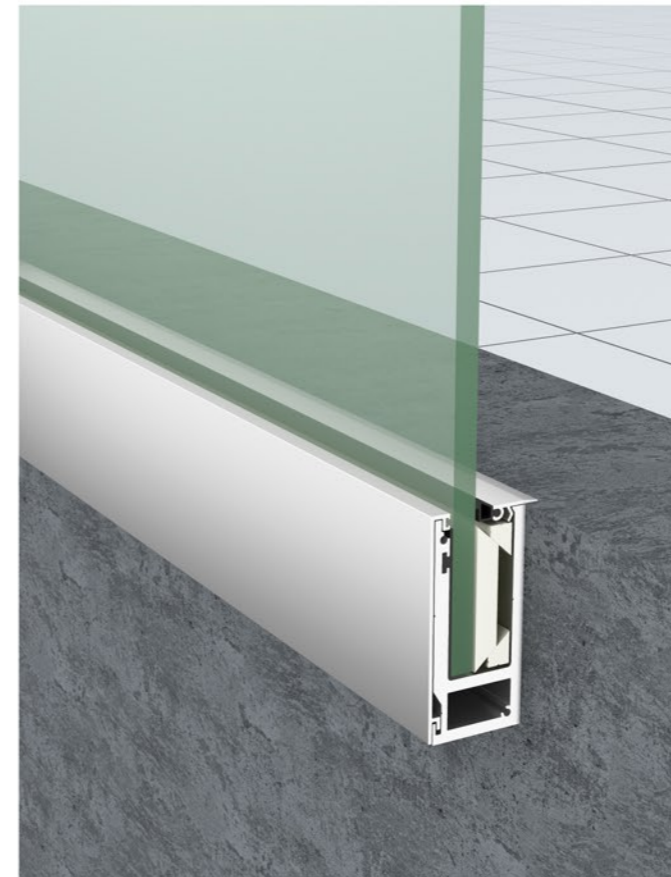
Essential Features

Clear Views from Areas Enclosed by Floor.

Slim Line, Elegant Design and Low Maintenance.

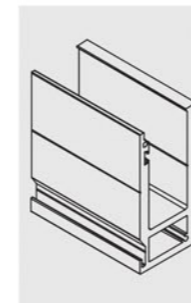
Space Saving Minimalist Design.

High Resistance to Deformation Provides High Strength to the System.

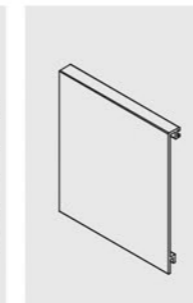


- | This profile designed in a way that completely looks frameless.
- | The best part is that this railing is maintenance-free and will never rust.
- | This system comes with bracket covered with continue profile with maximum length of 16ft.
- | Profile is compatible for upto 3 ft height of glass.
- | Best used bracket at every 2.5 ft of distance.

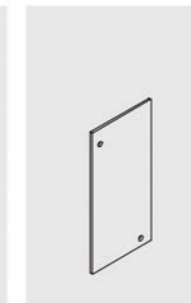
ZBC-04



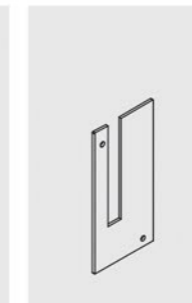
ZBC-04 CV



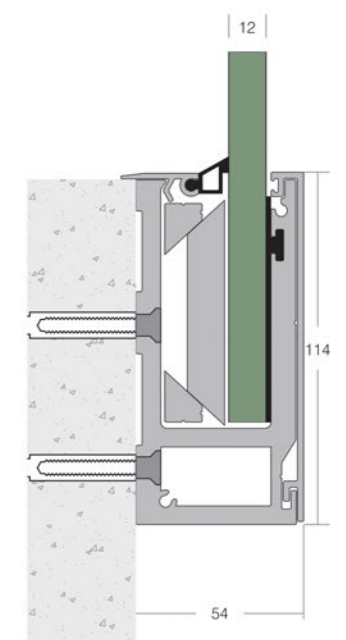
ZBC-04 EC



ZBC-04 EC Slotted



ZBC-04 SQ



ZBR-01



LARGE BOTTOM Bracket System

Finishes
Wooden | Anodized | PVDF | Powder Coating



Essential Features

Suitable for Staircase and Balcony.

Easy Installation, Easy Maintenance.

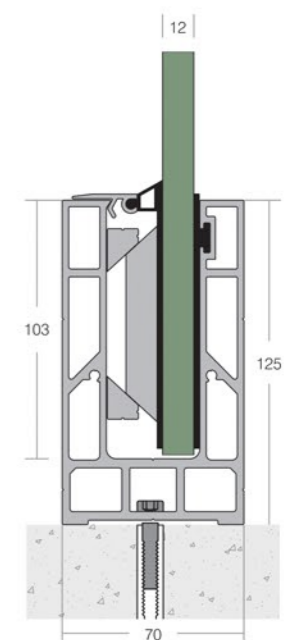
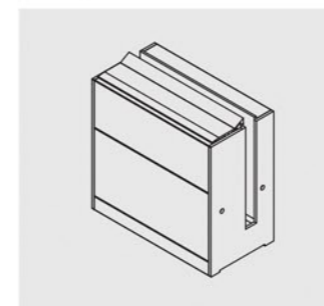
Economical and Compatible.

Perfect Aesthetic View.



- | This is often a concern for people who live in homes that have balconies, stairs, or outdoor staircases.
- | Bracket lengths are available in 70 mm & 140 mm.
- | Bracket is compatible for upto 1100 mm height of glass.
- | Brackets can be used at every 2.5 ft of distance.
- | Designed for saving workmanship and time.

ZBR-01





ZBR-02



Essential Features

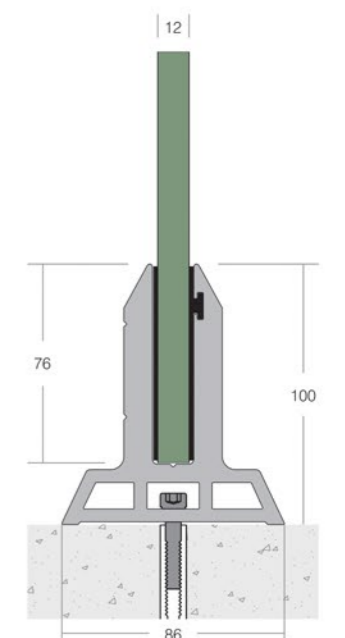
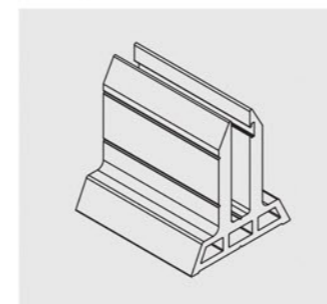
- Economical and Compatible.
- Easy Installation Saves Workmanship and Time.
- Space Saving and Minimalist Design.
- Mostly Used in Commercial Buildings.



- | With its clean lines and minimalist design, the ALUMINIUM GLASS T BRACKET is the perfect way to complete your decor.
- | The bracket length available in 70 mm.
- | Bracket is compatible for upto 1000 mm height of glass.
- | Brackets can be used at every 2.5 ft of distance.
- | Designed for saving workmanship and time.



ZBR-02



"T" TYPE
Bracket System

Finishes
Wooden | Anodized | PVDF | Powder Coating

ZBR-03



STEP BOTTOM Bracket System

Finishes
Wooden | Anodized | PVDF | Powder Coating



Essential Features

Suitable for Staircase and Balcony.

Easy Installation, Easy Maintenance.

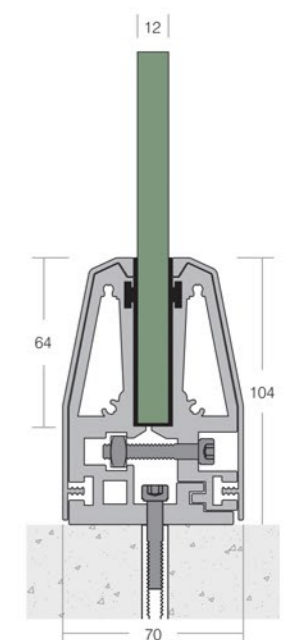
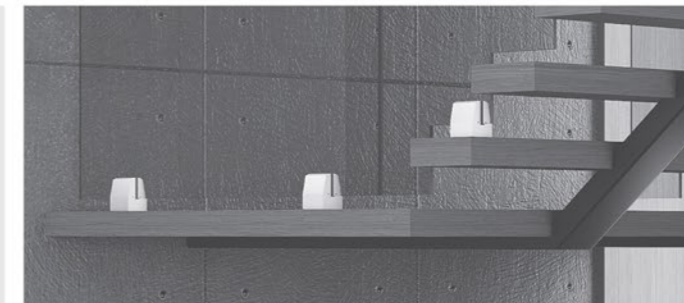
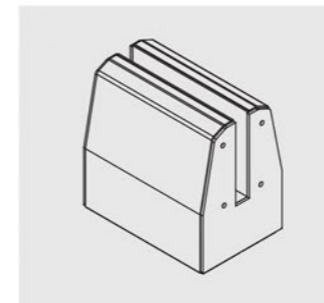
Economical and Compatible.

Perfect Aesthetic View.



- | A slope aluminum glass bracket is a sleek and modern mounting solution for attaching a glass panel to a surface.
- | Bracket lengths are available in 70 mm & 140 mm.
- | Bracket is compatible for upto 1000 mm height of glass.
- | Brackets can be used at every 2.5 ft of distance.
- | Designed for saving workmanship and time.

ZCR-03



ZBR-04

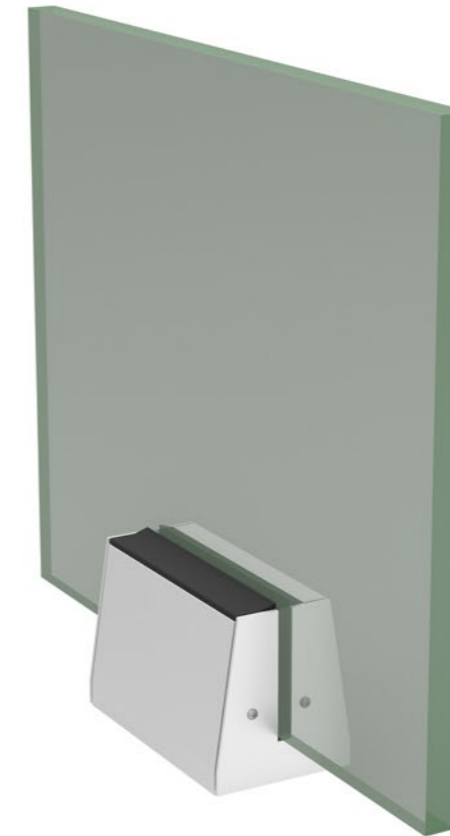


Essential Features

Light Commercial and Residential Use.

Economical Design.

Widely Used for Stairs and Balconies.



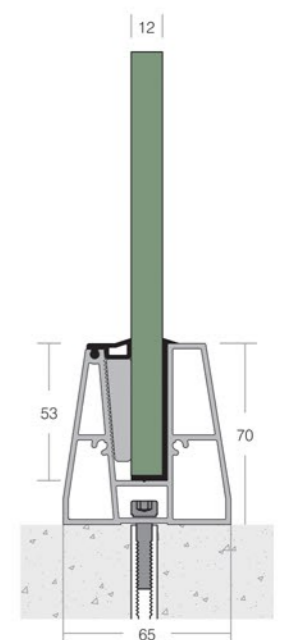
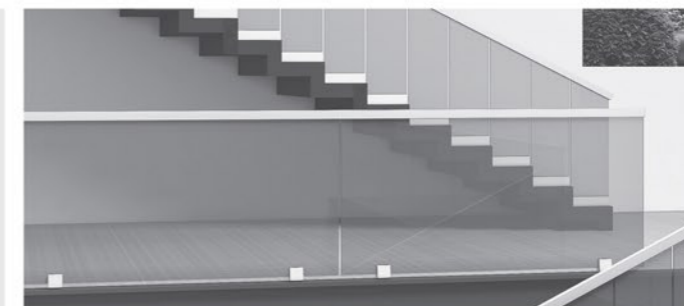
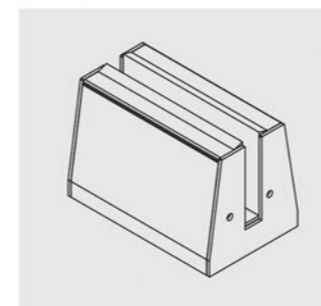
- | This bracket is crafted from high-quality aluminum, & the design making it lightweight and strong.
- | Bracket lengths are available in 70 mm & 140 mm.
- | Bracket is compatible for upto 900 mm height of glass.
- | Brackets can be used at every 2.5 ft of distance.
- | Designed for saving workmanship and time.



**DIAMOND
Bracket System**

Finishes
Wooden | Anodized | PVDF | Powder Coating

ZBR-04



ZBR-05



Essential Features

Light Commercial and Residential Use.

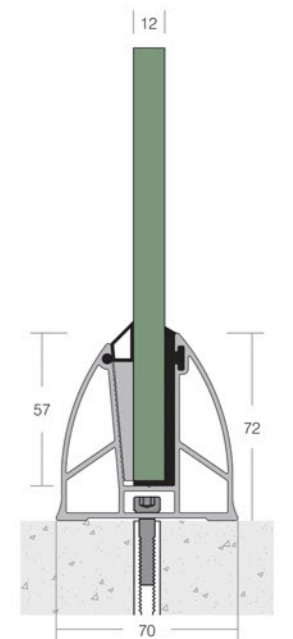
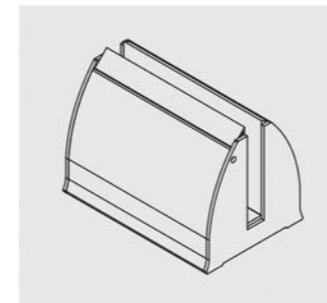
Economical Design.

Widely Used for Stairs and Balconies.

- Our Ferry Glass Aluminum Bracket is the perfect solution for mounting glass on your porch or balcony.
- Bracket lengths are available in 70 mm & 140 mm.
- Bracket is compatible for upto 900 mm height of glass.
- Brackets can be used at every 2.5 ft of distance.
- Designed for saving workmanship and time.



ZBR-05



FERRY
Bracket System

Finishes
Wooden | Anodized | PVDF | Powder Coating

ZBR-06



Essential Features

Economical and Compatible.

Easy Installation Saves Workmanship and Time.

Space Saving and Minimalist Design.

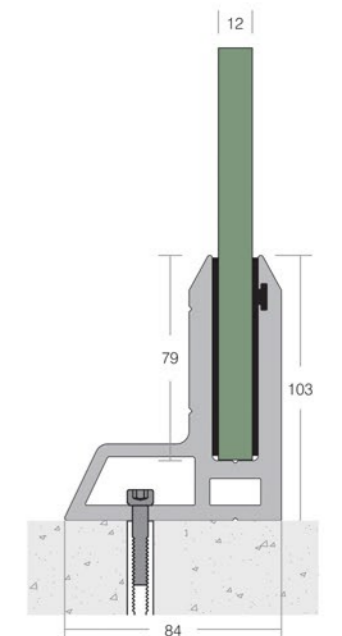
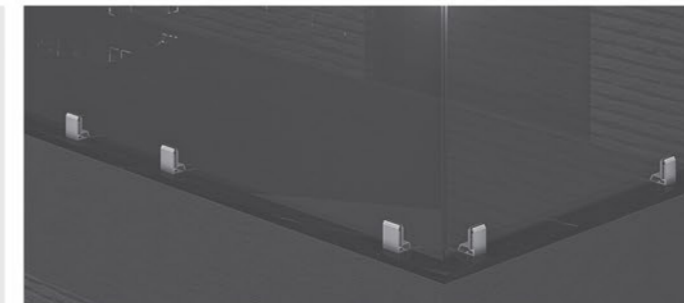
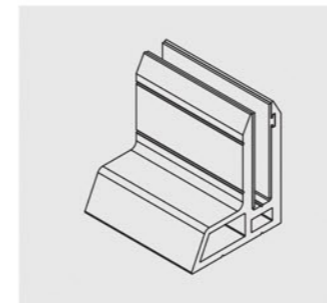
Mostly used in Commercial Buildings.



- | The "L" shaped bottom glass bracket is a versatile and stylish bracket that can be used in many different ways.
- | The bracket length available in 70 mm.
- | Bracket is compatible for upto 1000 mm height of glass.
- | Brackets can be used at every 2.5 ft of distance.
- | Designed for saving workmanship and time.



ZBR-06



"L" TYPE
Bracket System

Finishes
Wooden | Anodized | PVDF | Powder Coating

ZBR-07



Essential Features

Suitable for Staircase and Balcony.

Easy Installation, Easy Maintenance.

Economical and Compatible.

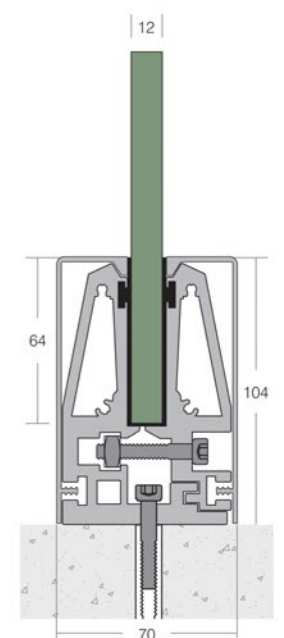
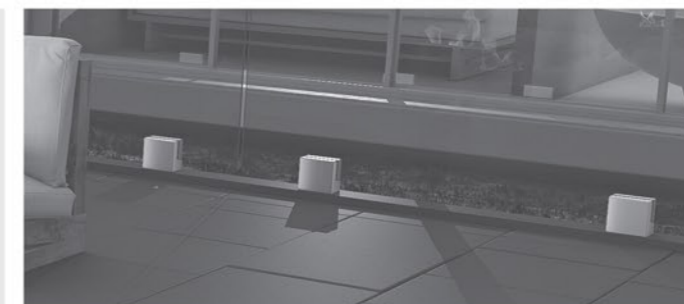
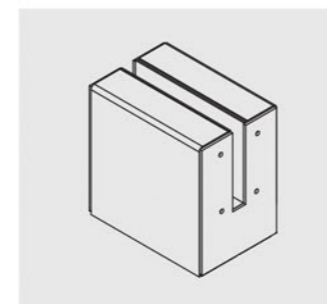
Perfect Aesthetic View.



- | The Square Aluminium Glass Bracket is a very versatile product that can be used in balcony & stairs seamlessly.
- | Bracket lengths are available in 70mm & 140mm.
- | Bracket is compatible for upto 1000 mm height of glass.
- | Brackets can be used at every 2.5 ft of distance.
- | Designed for saving workmanship and time.



ZBR-07



STEP
Bracket System

Finishes
Wooden | Anodized | PVDF | Powder Coating

ZBR-08



Essential Features

Suitable for Staircase and Balcony.

Easy Installation, Easy Maintenance.

Economical and Compatible.

Perfect Aesthetic View.



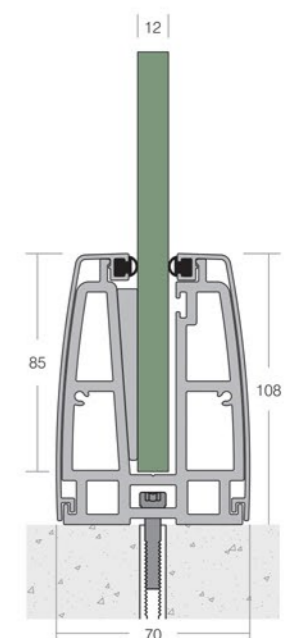
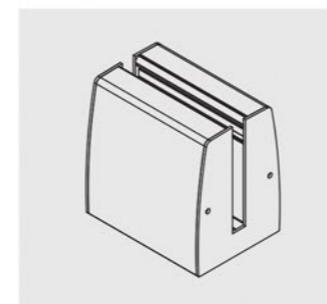
- | The oval aluminium glass bracket is perfect for any modern home. The sleek and elegant design of the bracket makes it perfect for both commercial and residential use.
- | Bracket lengths are available in 70 mm & 140 mm.
- | Bracket is compatible for upto 1200 mm height of glass.
- | Brackets can be used at every 3 ft of distance.
- | Designed for saving workmanship and time.



**OVAL
Bracket System**

Finishes
Wooden | Anodized | PVDF | Powder Coating

ZBR-08





ZBR-09



Essential Features

Suitable for Staircase and Balcony.

Easy Installation, Easy Maintenance.

Economical and Compatible.

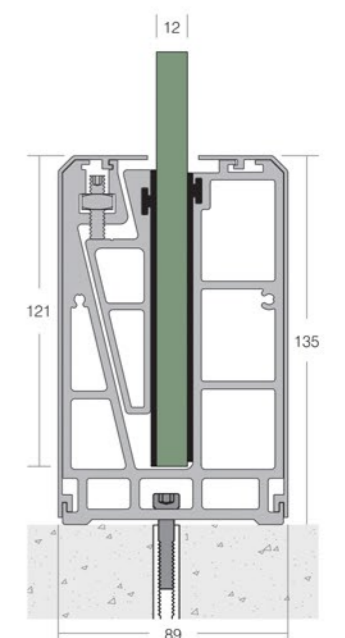
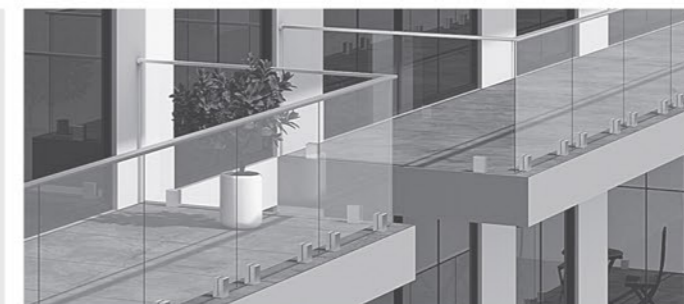
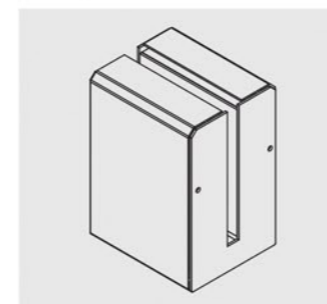
Perfect Aesthetic View.



- | Easy glass up ultra - slender and base bottom bracket system, allow you to create balcony railing with endless view.
- | Bracket lengths are available in 70 mm & 140 mm.
- | Bracket is compatible for upto 1300 mm height of glass.
- | Brackets can be used at every 3 ft of distance.
- | Designed for saving workmanship and time.



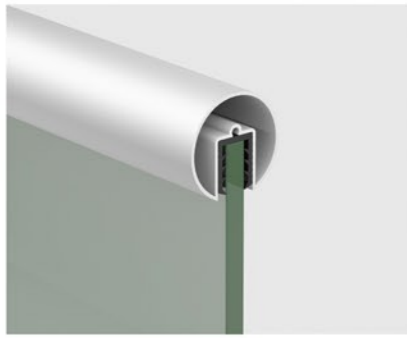
ZBR-09



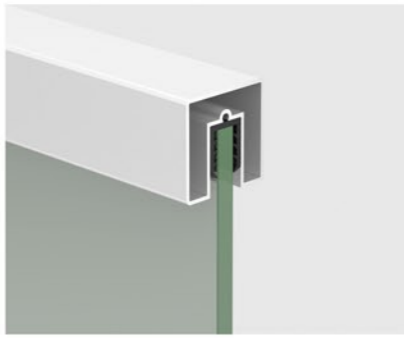
HEAVY
Bracket System

Finishes
Wooden | Anodized | PVDF | Powder Coating

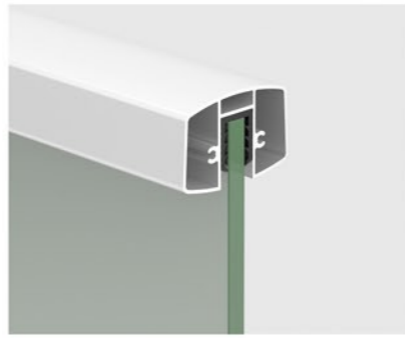
ZHR-01 (55 mm) ROUND



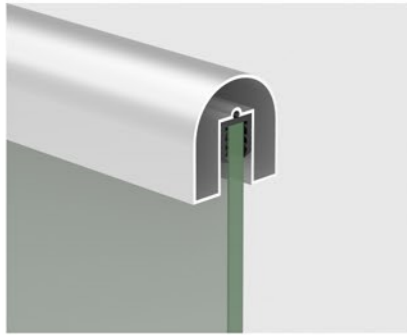
ZHR-02 (50 x 50 mm) SQUARE



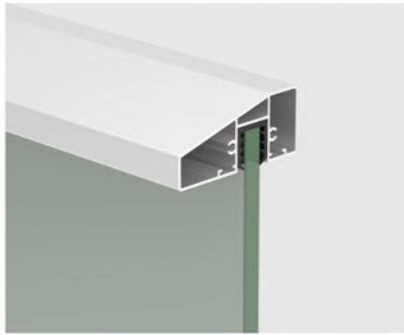
ZHR-03 (65 x 45 mm) RECTANGLE



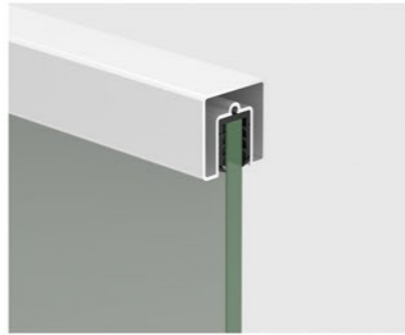
ZHR-04 (55 x 55 mm) 'U' TYPE



ZHR-05 (80 x 35 mm) INCLINE



ZHR-06 (40 x 40 mm) SQUARE



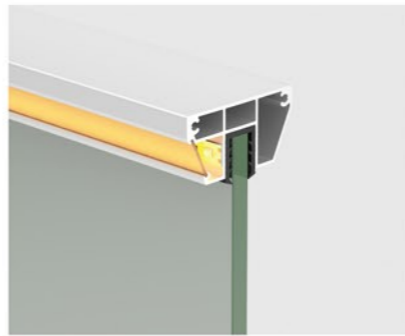
ZHR-07 (25 x 25 mm) SLIM LINE



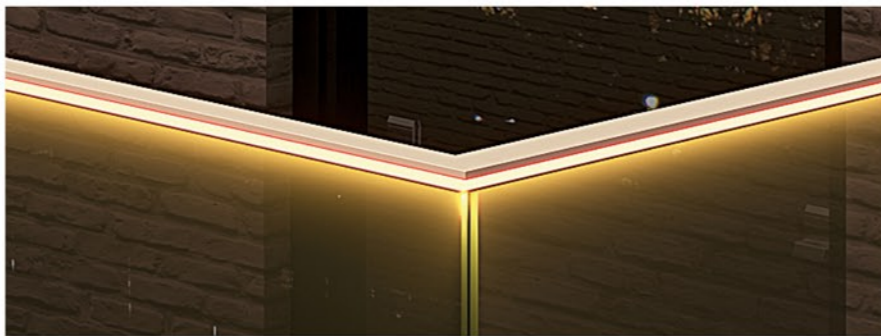
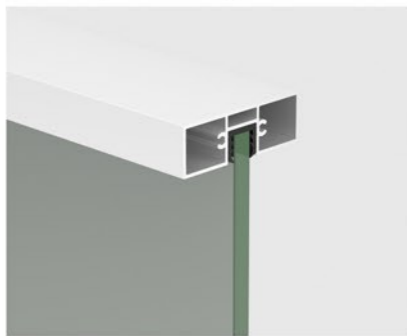
ZHR-08 (65 x 40 mm) CLUB



ZHR-09 (70 x 35 mm) LED



ZHR-10 (25 x 75 mm) RECTANGLE



HANDRAIL Accessories

Finishes
Wooden | Anodized | PVDF | Powder Coating

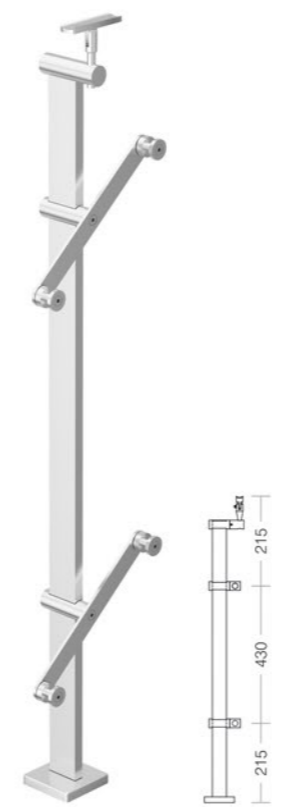
BALUSTRADE System

Essential Features

- | Suitable for Staircase and Balcony. | Maintenance Free.
- | Corrosion Resistance. | SS 304 / 316 Grade | Top / Side Mount

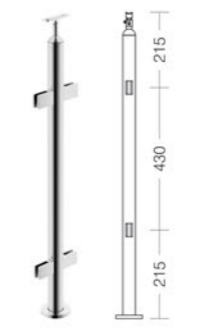


ZB 01



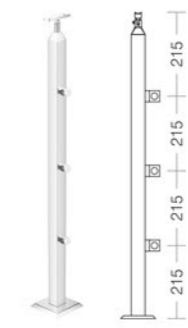
Patta Type (12 mm x 50 mm)

ZB 02



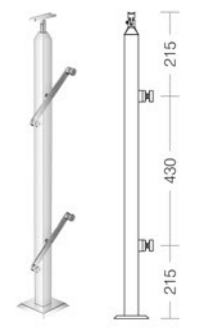
Pipe Type (50ø / 40ø mm)

ZB 03



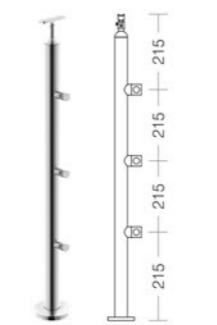
Pipe Type (40 mm x 40 mm)

ZB 04



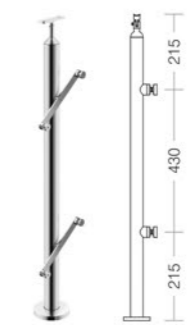
Pipe Type (40 mm x 40 mm)

ZB 05



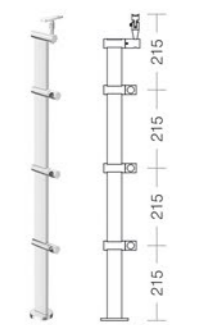
Pipe Type (50ø / 40ø mm)

ZB 06



Pipe Type (50ø / 40ø mm)

ZB 07



Patta Type (12 mm x 50 mm)

SIDE MOUNT
SS 304 / 316 Grade

Flat Patta
12 x 50 mm



Pipe
40 x 40 mm



Round
50ø / 40ø mm



SPIGOT
SS 304 / 316 Grade

ZS 01
10 x 40 mm



Height : 8" / 9" / 10"

ZS 02



Height : 6"

ZS 03
10 x 40 mm



Height : 8" / 9" / 10" / 12"



Mfg. By:

ZOLON ARCHITECTURAL HARDWARE

Rajkot (Guj.) India

E-mail : info@zolonhardware.com



www.zolonhardware.com